

VEGAMET 861

Controller in field housing for a continuously measuring digital or analogue level sensor



Application area

The VEGAMET 861 controller feeds the connected 4 ... 20 mA or HART sensor, processes the measured values and displays them. A large display for data visualisation is integrated in the housing designed for rough field conditions.

It enables simple implementation of pump controls, flow measurements on open channels and weirs and totalizers and data loggers. With the VEGAMET 861, limit values can be reliably monitored and relays can be switched, e.g. for an overflow protection according to WHG.

Due to its various possibilities it is suitable for many industrial branches.

Your benefit

- Easy-to-read display from a distance, even in sunlight and darkness
- Complex programming of control tasks is no longer necessary
- Simple and reliable commissioning and diagnosis of the measuring points via smartphone
- Secure measurement data memory on SD card

Function

The VEGAMET 861 controller can power the connected sensor and process its measurement signals. The requested parameter is shown on the display and also output to the integrated current output for further processing. The measurement signal can thus be transferred to a remote display or a superordinate control system. Operating relays for control of pumps or other devices are also integrated.

Approvals

Worldwide approvals are available for VEGA instruments, e.g. for use in hazardous areas, on ships or in hygienic applications.

The technical data in the respective safety instructions are valid for approved instruments (e.g. with Ex approval). In some cases, these data can differ from the data listed herein.

You can find detailed information on the existing approvals with the appropriate product on our homepage.

Technical data

Operating voltage	
– Nominal voltage AC	100 ... 230 V (-15 %, +10 %) 50/60 Hz
– Nominal voltage DC	24 ... 65 V (-15 %, +10 %)
Power consumption	max. 17 VA; 6 W
Sensor input	
Number of sensors	1 x 4 ... 20 mA/HART
Type of input (selectable)	
– Active input	Sensor supply through VEGAMET 861
– Passive input	Sensor has an own voltage supply
Measured value transmission	
– 4 ... 20 mA	analogue for 4 ... 20 mA sensors
– HART protocol	digital for HART sensors (not with passive input)
Digital input	
Quantity	2 x digital input
Input type active	
– Voltage	> 14 V DC
– Current	> 3 mA
Input type passive	
– Switching threshold Low	-3 ... 5 V DC
– Switching threshold High	11 ... 30 V DC
Relay output	
Quantity	4 x operating relay, one can be configured as fail safe relay
Switching voltage	max. 250 V AC/60 V DC
Switching current	max. 1 A AC (cos phi > 0.9), 1 A DC
Breaking capacity	min. 50 mW, max. 250 VA, max. 40 W DC (with U < 40 V DC)
Current output	
Quantity	1 x output
Range	0/4 ... 20 mA, 20 ... 0/4 mA
Max. load	500 Ω
Bluetooth interface	
Bluetooth standard	Bluetooth 5.0
Indicators	
Measured value indication	
– Graphic-capable LC display, with lighting	89 x 56 mm, digital and quasianalogue display
Adjustment elements	4 x keys for menu adjustment
Memory card	
Memory card type	microSDHC industrial
Ambient conditions	
Ambient temperature	
– Instrument in general	-40 ... +60 °C (-40 ... +140 °F)
– Display (readability)	-20 ... +60 °C (-4 ... +140 °F)
Electrical protective measures	
Protection rating	IP66/IP67 acc. to IEC 60529, Type 4X acc. to UL 50

Adjustment

The VEGAMET 861 has an integrated display and adjustment unit. In addition, the parameter adjustment of the device can be done via Bluetooth and corresponding adjustment tools.

Adjustment via the display and adjustment unit

The adjustment is carried out menu-driven via four front keys and a clearly arranged, graphic-capable display with background lighting.

Wireless adjustment via Bluetooth

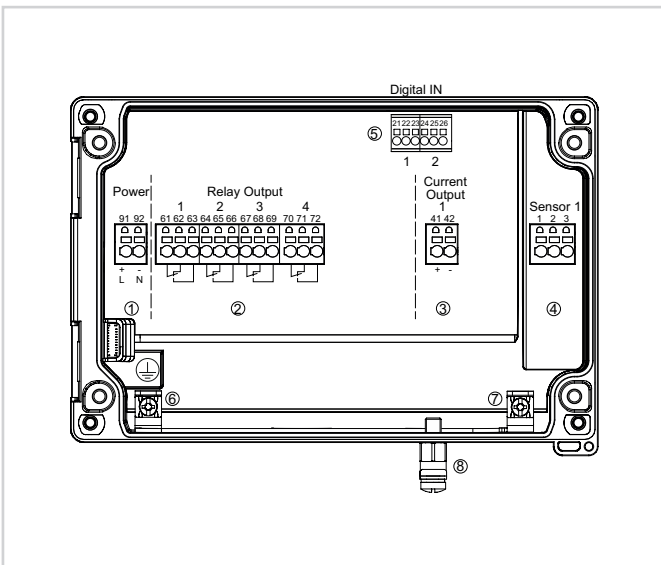
The integrated Bluetooth module enables wireless connection to smartphones/tablets (iOS/Android) or Windows PCs.

Operation is via a free app from the "Apple App Store", the "Google Play Store" or the "Baidu Store". Alternatively, adjustment can also be carried out via PACTware/DTM and a Windows PC.



Wireless connection to smartphone/tablet/notebook

Electrical connection

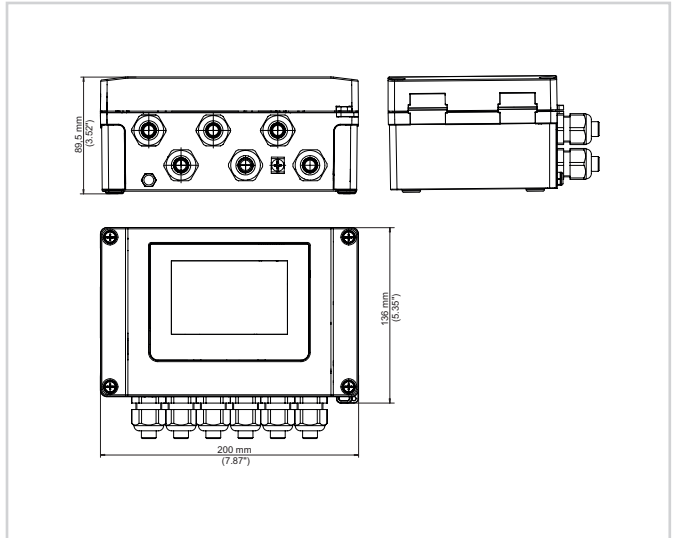


Wiring plan VEGAMET 861

- 1 Voltage supply of the controller
- 2 Relay outputs 1 ... 4
- 3 Current output
- 4 Sensor input (active/passive)
- 5 Digital inputs 1/2
- 6 Ground terminal for protective conductor
- 7 Ground terminal for cable screening sensor cable
- 8 Ground terminal for potential equalization

Details on the electrical connection can be found in the operating instructions of the device in the download area on our homepage.

Dimensions



Information

You can find further information on the VEGA product line on our homepage.

In the download section of our homepage you'll find operating instructions, product information, industry brochures and approval documents as well as device and adjustment software.

Contact

You can find your personal contact person at VEGA on our homepage under "Contact".