



Oil Fill Point Cabinet

Many installations require the filling point for oil storage tanks to be enclosed in a lockable cabinet housed within the fabric of the building or built into a boundary wall to limit access to authorised personnel only. This is easy to achieve by using the Landon Kingsway Fillpoint Cabinet.

The Landon Kingsway Fillpoint Cabinet conforms with metric brickwork and is available as a standard unit in single, double and triple sizes. The Fillpoint Cabinet can be fitted with screw-down stop valves up to 100mm in diameter, each complete with its own captive dust cap, with lockable versions available as an option.

The entire cabinet is constructed from 16 SWG mild steel, coated with a protective aluzinc finish and is provided with grouting strips for building into exterior fabric. Cabinets are supplied with a grey epoxy powder coating. A shatter proof polycarbonate viewing window is provided as standard for easy reading.

Contents gauges are supplied as an extra. Studs are pre installed to accept 150mm gauges and the Landon Kingsway Filguard Alarm Panel. Holes are pre-drilled to accept Fill Valve assemblies. Internal lighting with automatic switching is also available as an option. The door is completely weather sealed. A supporting gas strut eases opening and closing and maintains a fully open position when required.

Available Models

- Type A cabinet, drilled back c/w drip tray
- Type B cabinet, drilled back c/w drip tray
- Type C cabinet, drilled back c/w drip tray
- Type A cabinet, drilled back c/w drip tray
- Type B cabinet, drilled back c/w drip tray
- Type C cabinet, drilled back c/w drip tray

Optional Extras

- Filguard High Level Alarm Panel
- Filguard Float Sensing Unit
- Flameproof Float Sensing Unit
- Capacitance Level Controls
- Contents Gauges
- Lighting & Switching Assembly
- Fill Valve Assembly

Oil Fill Valve Assemblies

- 25mm fill valve assembly c/w support tube gate valve, cap & chain
- 50mm fill valve assembly c/w support tube gate valve, cap & chain
- 65mm fill valve assembly c/w support tube gate valve, cap & chain
- 80mm fill valve assembly c/w support tube gate valve, cap & chain
- 100mm fill valve assembly c/w support tube gate valve, cap & chain

Internal Lighting Switching

- Type A with internal lighting and switching assembly
- Type B with internal lighting and switching assembly
- Type C with internal lighting and switching assembly



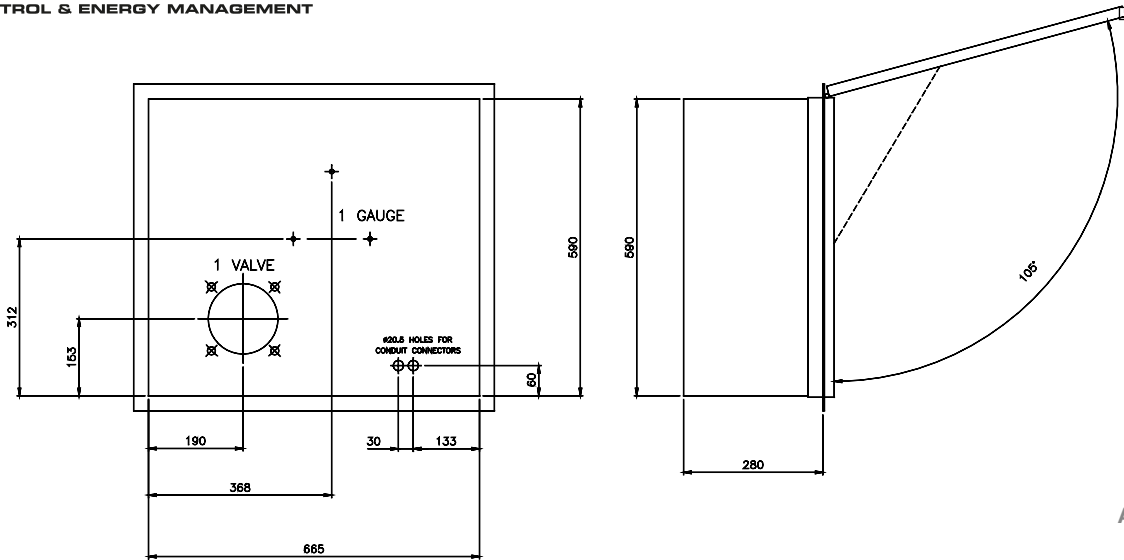
Special Features

- Conforms with metric brickwork
- Door and frame coated in Aluzinc then finished in Polyester powder finish
- Polycarbonate vandal proof window
- Gas filled support strut
- Lockable door to restrict access
- Accommodates 25mm, 50mm, 65mm 80mm and 100mm fill valves (Conforming to BS 799 Part 1)
- Non-standard versions available to customers own specifications
- Stainless steel versions available to special order

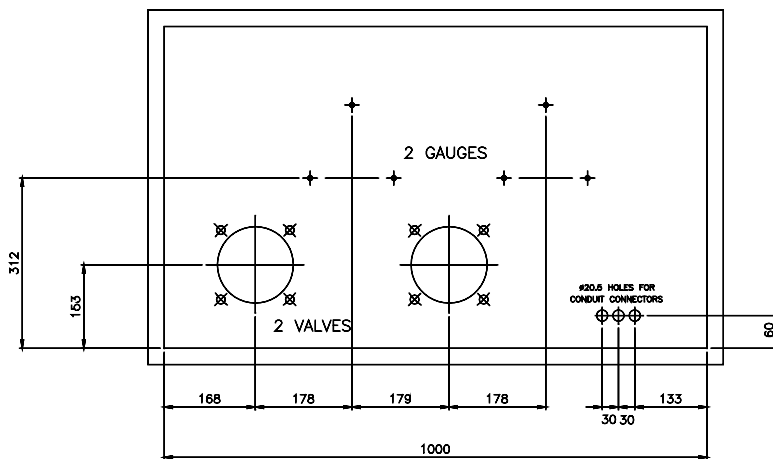


LANDON KINGSWAY

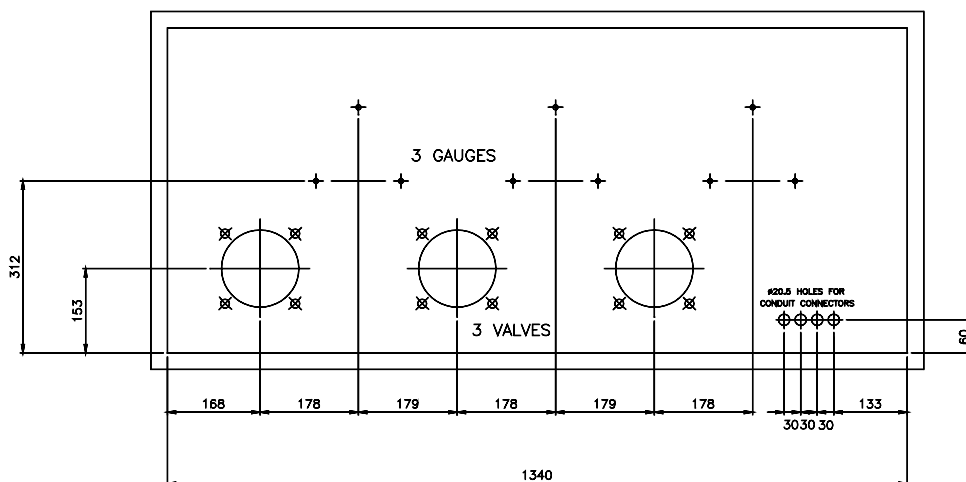
SAFETY, CONTROL & ENERGY MANAGEMENT



A Type Cabinet



B Type Cabinet



C Type Cabinet



LANDON KINGSWAY

SAFETY, CONTROL & ENERGY MANAGEMENT



Supply Voltage 230V AC

Power 30VA + valve

Enclosure Off-White epoxy powder coated steel with locking door

Temperature Range -10°C to +50°C

Valve Voltage Output as supply voltage

Valve current output of 5A max

Weight 1 Kg (excluding main valve)

Timer Programmable 7 day

Valve EN161 Approved gas valve

Pressure Switch

Setting Range 2.5 to 50mbar (1 to 20" w.g.)

Housing Material Diecast Aluminium with Polycarbonate cover

Mounting Thread G¼ female on base

Electrical Contacts Screw terminals via PG11

Cable gland

Protection Rating IP54

Approvals To EU Gas Appliance Directive
CE-0085 AO 0012

Related Products



**Kingsway
Ventguard**

The cast iron Ventguard is designed to provide an ample cross sectional area to vent the displaced air from the tank.



**FilGuard
Tank Alarm**

The FilGuard Alarm unit provides high level alarms for 1, 2 or 3 tanks via Filguard Float switches, which are fitted inside the tanks.