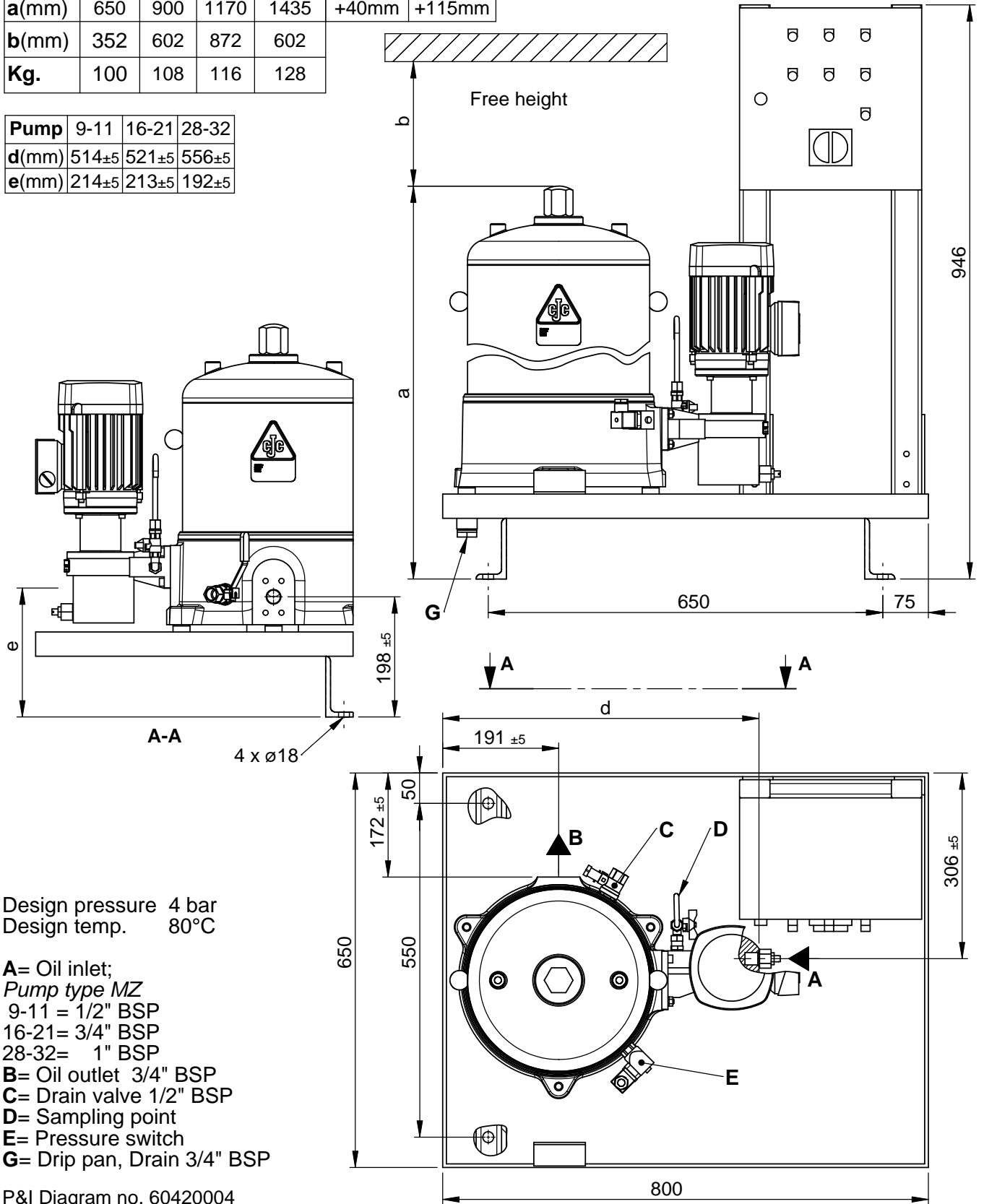


Size	27/27	27/54	27/81	27/108	Pressure Gauge	Auto vent
a(mm)	650	900	1170	1435	+40mm	+115mm
b(mm)	352	602	872	602		
Kg.	100	108	116	128		

Pump	9-11	16-21	28-32
d(mm)	514±5	521±5	556±5
e(mm)	214±5	213±5	192±5



Design pressure 4 bar
Design temp. 80°C

A= Oil inlet;
Pump type MZ
9-11 = 1/2" BSP
16-21= 3/4" BSP
28-32= 1" BSP
B= Oil outlet 3/4" BSP
C= Drain valve 1/2" BSP
D= Sampling point
E= Pressure switch
G= Drip pan, Drain 3/4" BSP

P&I Diagram no. 60420004

This document has been prepared by C.C.JENSEN A/S of Svendborg, Denmark, and remains the property of the company. Reproduction or use of this document without the consent of C.C.JENSEN A/S or its subsidiaries is prohibited. All rights reserved.

Tolerance:	ISO2768-v	 C.C.JENSEN A/S LØVHOLMEN 13, DK-5700 SVENDBORG, DENMARK Fax +45 62224615 Phone +45 63212014 www.cjc.dk	Sign	Date	
Customer:			Constr.	AB	22-04-2009
Project:			Appr.		23-12-2010
Ref:			Rev.	Appr.	Date
Weight:	65.97 kg		C	HJ	23-12-2010
		Drawing no. 60400050			
		CJC Fine Filter type: HDU 27/- MZ-DE2P General Arrangement			