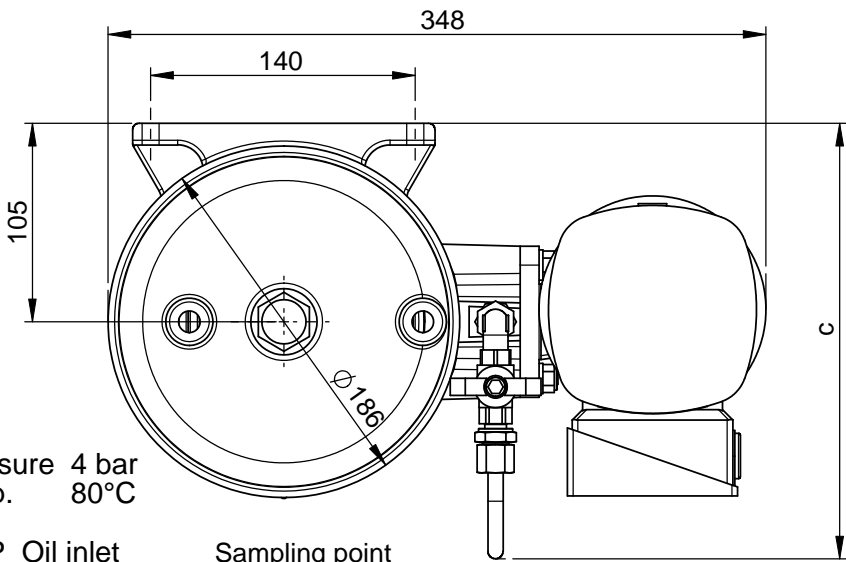
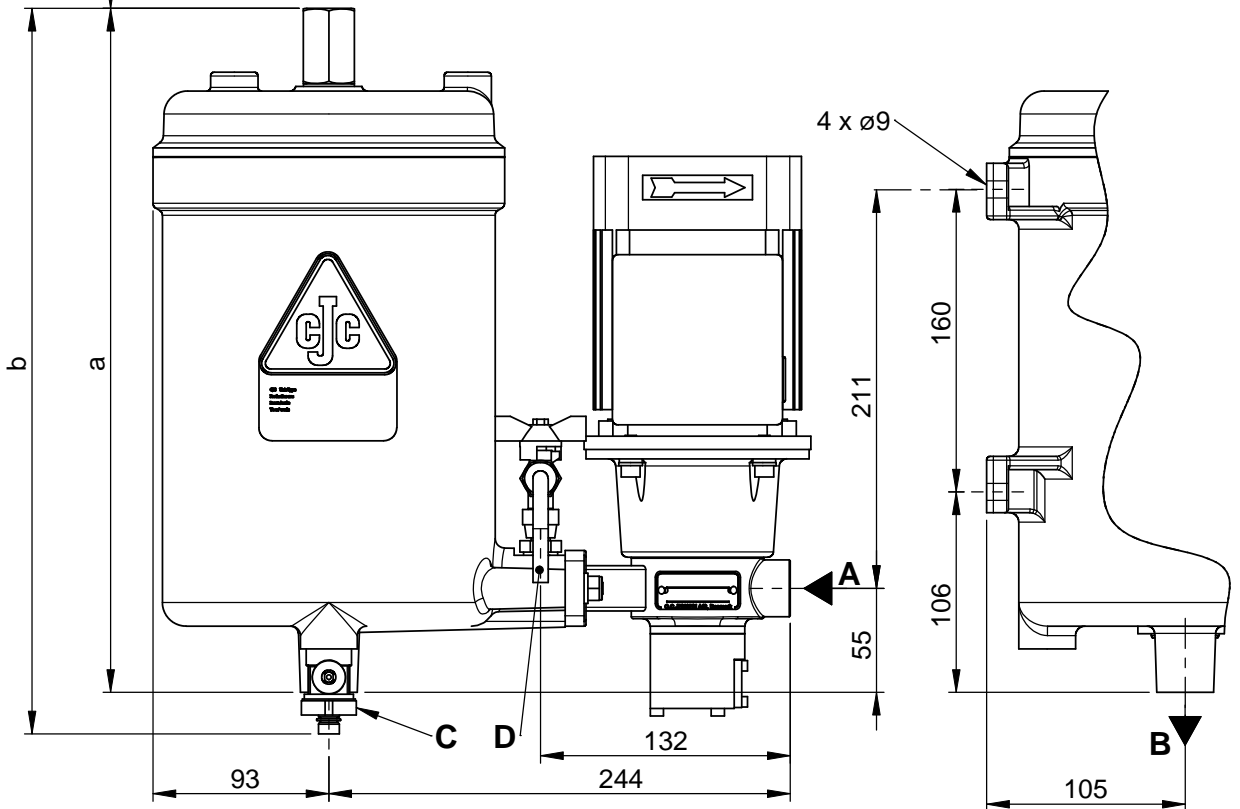




Free height

a	Auto Vent	Pressure gauge
362	+142	+65
b	Stainless steel Drain valve	
384	+42	



Design pressure 4 bar
Design temp. 80°C

- A**= 3/8" BSP Oil inlet
- B**= 3/8" BSP Oil outlet
- C**= 3/8" BSP Drain valve
- D**= Sampling point

Sampling point

c	Brass with pressure switch	Stainless steel with pressure switch	Steel, Marine
230	-20	-10	+12

P&I Diagram no. 60320000

This document has been prepared by C.C.JENSEN A/S of Svendborg, Denmark, and remains the property of the company. Reproduction or use of this document without the consent of C.C.JENSEN A/S or its subsidiaries is prohibited. All rights reserved.

Tolerance:	N/A
Customer:	
Project:	
Ref:	
Weight:	25,0 kg



C.C.JENSEN A/S

LØVHOLMEN 13, DK-5700 SVENDBORG, DENMARK
Fax +45 62224615 Phone +45 63212014 www.cjc.dk

CJC Fine Filter
type: HDU 15/25 PV2

General Arrangement

	Sign	Date
Constr.	ab	26-08-2009
Appr.		17-09-2009
Rev.	Appr.	Date
E	HJ	17-09-2009
Drawing no.		
		60300002