

VEGAWELL 52

4 ... 20 mA

Submersible pressure transmitter with ceramic measuring cell



Application area

VEGAWELL 52 is suitable for continuous level measurement of liquids. Typical applications are measurements in water/waste water facilities, deep wells and in the shipbuilding industry.

Your benefit

- High measurement reliability through maximum overload and vacuum resistance of the ceramic measuring cell
- High plant availability through integrated overvoltage protection
- Versatile use thanks to robust housing and cable version

Function

The ceramic CERTEC® measuring cell is the heart of VEGAWELL 52. The hydrostatic pressure of the liquid column causes a capacitance change in the measuring cell via the ceramic diaphragm. This change is converted into a standard 4 ... 20 mA signal. The entire measuring cell consists of high purity ceramic and is characterised, apart from its excellent long-term stability, by very high overload resistance.

Technical data

Measuring ranges	+0.1 ... +60 bar/+10 ... +6000 kPa (+1.45 ... +870.2 psig)
Smallest measuring range	+0.1 bar/+10 kPa (+1.45 psig)
Deviation in characteristics	0.1 %
Process fitting	Straining clamp, threaded fitting unassembled from G1 (ISO 228-1) or from 1 NPT, thread G1½ (ISO 228-1) or from 1½ NPT on the housing
Process temperature	-20 ... +80 °C (-4 ... +176 °F)
Ambient, storage and transport temperature	-40 ... +80 °C (-40 ... +176 °F)
Operating voltage	8 ... 35 V DC

Materials

The transmitter of the instrument is made of 316L, Duplex (1.4462), Titanium or PVDF. The process seal consists of FKM, FFKM or EPDM, the suspension cable of PE, PUR or FEP.

You will find a complete overview of the available materials and seals in the "Configurator" at www.vega.com and "VEGA Tools".

Housing versions

Apart from the version with unassembled cable end, there is also a version with single chamber housing and thread available.

The housing in protection rating IP66/IP67 is available in plastic or stainless steel precision casting.

Electronics versions

The instruments are available in different electronics versions. Apart from the analogue/digital two-wire electronics 4 ... 20 mA/HART Pt 100, a pure analogue version 4 ... 20 mA is also possible.

Approvals

Worldwide approvals are available for VEGA instruments, e.g. for use in hazardous areas, on ships or in hygienic applications.

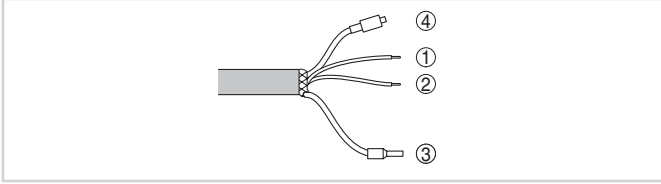
The technical data in the respective safety instructions are valid for approved instruments (e.g. with Ex approval). In some cases, these data can differ from the data listed herein.

You can find detailed information on the existing approvals with the appropriate product on our homepage.

Adjustment

An adjustment of the instrument is not necessary and not possible. The measuring range corresponds to the value set at the factory.

Electrical connection



Wire assignment, suspension cable

- 1 Blue (-): to voltage supply or to the processing system
- 2 Brown (+): to voltage supply or to the processing system
- 3 Shielding
- 4 Breather capillaries with filter element

You can find details on electrical connection in the instrument operating instructions at www.vega.com/downloads.

Instrument selection

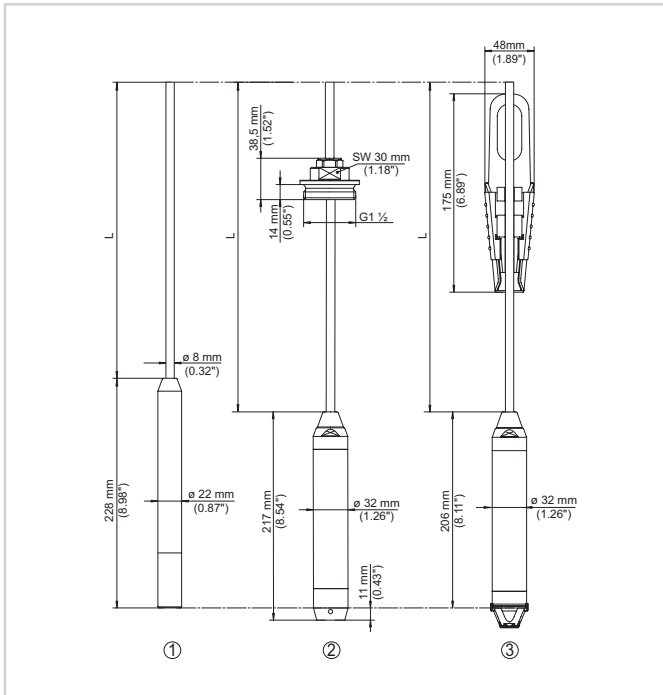
On our homepage under "Products" you can select the suitable measuring principle and instrument for your application.

There you will also find detailed information on the available device versions.

Contact

You can find your personal contact person at VEGA on our homepage under "Contact".

Dimensions



Dimensions VEGAWELL 52

- 1 Standard version
- 2 Version with adjustable screw connection for suspension cable G1 1/2 A, with impact protection
- 3 Version with straining clamp and detachable plastic basket guard
- L Total length from configurator

Information

You can find further information on the VEGA product line on our homepage.

In the download section of our homepage you'll find operating instructions, product information, industry brochures and approval documents as well as device and adjustment software.